

## SPECIFICATIONS SHEET

**PRODUCT TYPE : PIEZO BUZZER**

**PRODUCT SERIES : DB-E298**

**DESCRIPTION : PZ BUZZER SINGLE 12VDC L/W ABS**

**3.4 +/- 0.1mm EAR HOLE SP RoHS**

**COLOR : BLACK**

### ELECTRICAL SPECIFICATIONS

<b>MODEL NO.</b>		<b>29SL3120LF-001</b>
<b>OPERATING VOLTAGE RANGE</b>	( VDC )	1.5 ~ 20.0
<b>RATED VOLTAGE</b>	( VDC )	12.0
* <b>MAX. RATED CURRENT</b>	( mA )	10.0
* <b>MIN. SOUND OUTPUT</b>	( dBA/ 30 cm )	96.0
* <b>FREQUENCY</b>	( Hz )	2800 ± 500
<b>TONE NATURE</b>		SINGLE
<b>OPERATING TEMPERATURE</b>	( °C )	- 40.0 ~ +65.0
<b>TERMINAL</b>		LEADWIRE ( UL1007 , AWG#28 )
<b>HOUSING MATERIAL</b>		ABS
<b>WEIGHT</b>	( g )	14.0

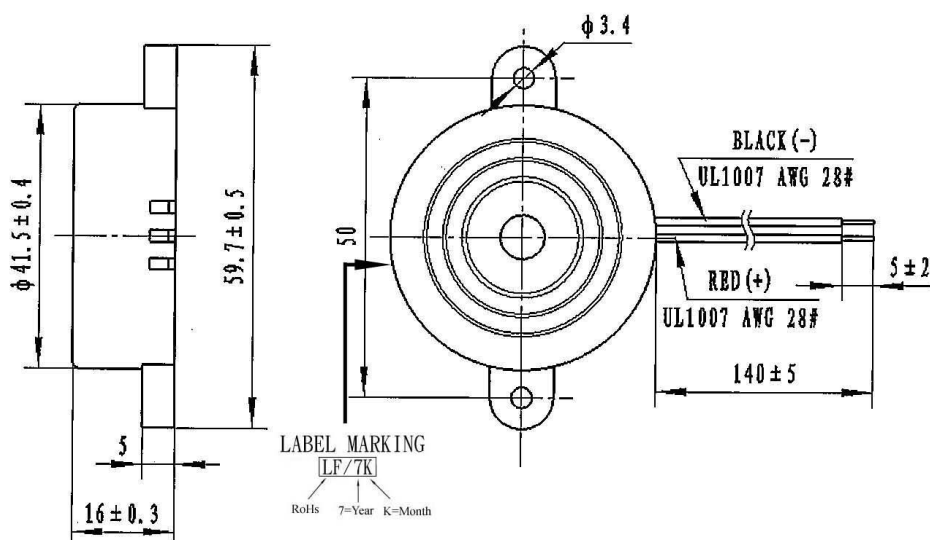
\* Value applying at rated voltage

### DIMENSIONS

UNIT : mm

SIDE VIEW

TOP VIEW



Approved By :  
Date : 4-Aug.-2010

Prepared By :  
Date : 4-Aug.-2010

Modify :	Date :	By :
Operating Voltage Range change to 1.5 ~ 20 VDC	4-Aug-10	Joey