

SPECIFICATIONS SHEET

PRODUCT TYPE : PIEZO BUZZER

PRODUCT SERIES : DB-E948

DESCRIPTION : PZ BUZZER SINGLE 12VDC L/W ABS RoHS

COLOR : BLACK

ELECTRICAL SPECIFICATIONS

MODEL NO.	94S4120LFLA	
OPERATING VOLTAGE RANGE (VDC)	3.0 ~ 24.0	
RATED VOLTAGE (VDC)	12.0	
* MAX. RATED CURRENT (mA)	10.0	
* MIN. SOUND OUTPUT (dBA/ 30.0 cm)	85.0	
* FREQUENCY (Hz)	3500.0 ± 500.0	
TONE NATURE	SINGLE	
OPERATING TEMPERATURE (°C)	- 20.0 ~ + 60.0	
STORAGE TEMPERATURE (°C)	- 30.0 ~ + 70.0	
TERMINAL	LEADWIRE (UL1095 , AWG#28)	
HOUSING MATERIAL	ABS	
WEIGHT (g)	3.5	

* Value applying at rated voltage

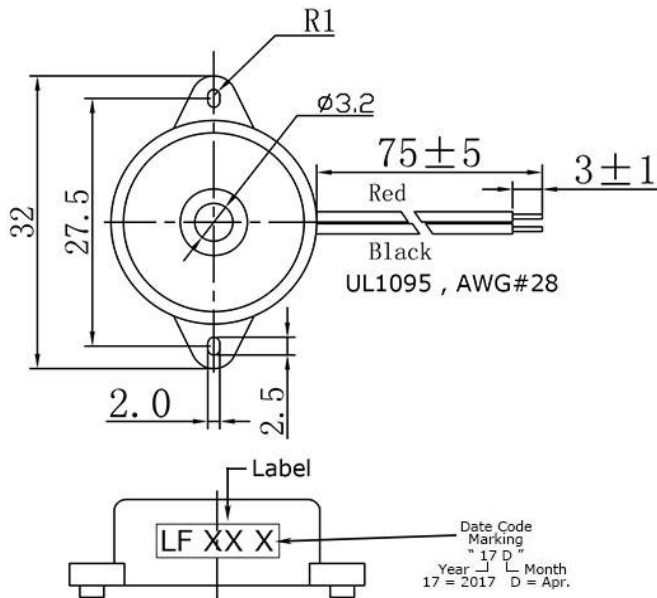
DIMENSIONS

UNIT : mm Tolerance : ± 0.5 mm

TOP VIEW

SIDE VIEW

BOTTOM VIEW



SIDE VIEW

Approved By :
Date : 12 Apr 2017

Prepared By :
Date : 12 Apr 2017

Modify :	Date :	By :
1) Operating Voltage 3 ~ 28VDC change to 3 ~ 24 VDC. 2) Operating Temperature -25 ~ +65 °C change to -20 ~ 60 °C. 3) Add Storage Temperature.	12-Apr-17	Nelson