

## Specifications Sheet

Product Type : Magnetic Transducer

Product Series : CDT094A

Description : MT TRANSDUCER 3.6V SMD PPS RoHS Au PLATING

Color : Black

### Electrical Specifications

Model No.		CDT094A3BNLFMP
Operating Voltage Range	(V)	2.5 ~ 4.5
Rated Voltage	(V)	3.6
Max. Rated Current	(mA)	100.0
Coil Resistance	(Ω)	16.0 ± 3.0
Min. Sound Output at 10.0 cm	(dBA)	85.0
Resonant Frequency	(Hz)	2731.0
Operating Temperature	(°C)	- 30.0 ~ + 70.0
Storage Temperature	(°C)	- 40.0 ~ + 85.0
Terminal		SMD
Housing Material		PPS
Weight	(g)	1.0

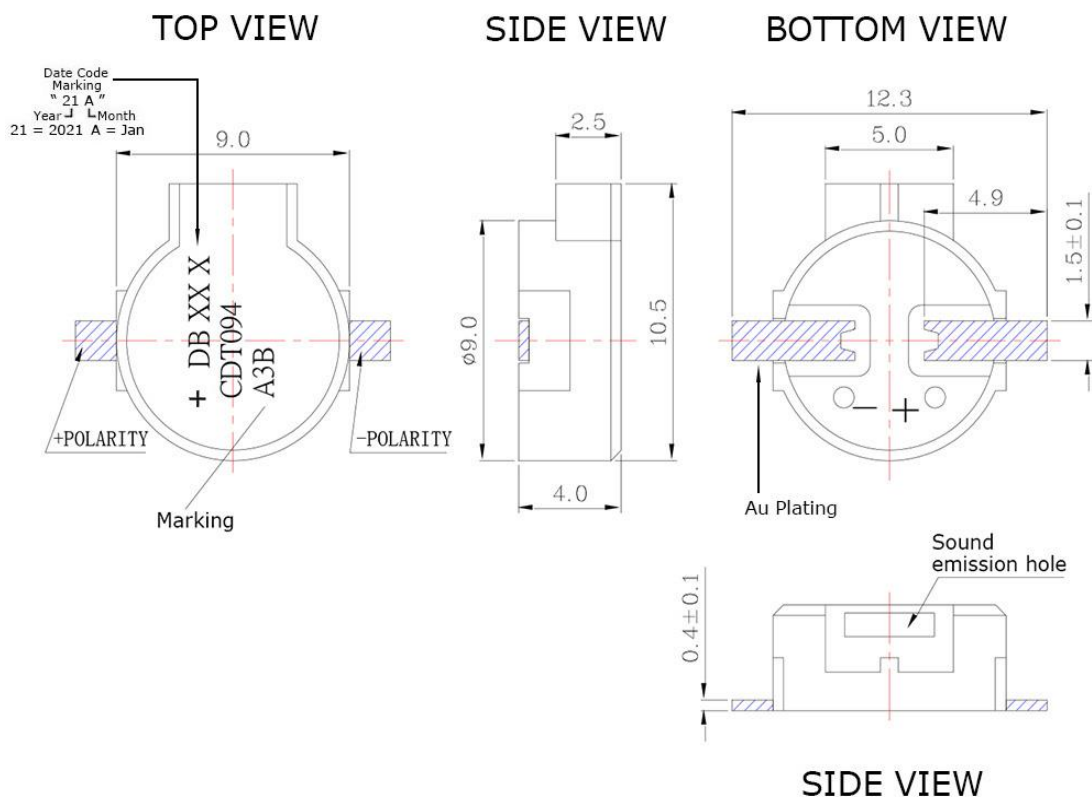
† Value applying rated voltage 2731.0 Hz, 1/2 duty , square wave

\* Value applying resonant frequency, 1/2 duty , square wave ,measuring current 60.0 uA

### Dimensions

Unit : mm

Tolerance : ± 0.5 mm



SIDE VIEW

Modify :	Date :	By :

Approved By :  
Date : 12 Jan 2021

Prepared By :  
Date : 12 Jan 2021