



SPECIFICATIONS SHEET

PRODUCT TYPE : MAGNETIC TRANSDUCER

PRODUCT SERIES : DB

DESCRIPTION : MT TRANSDUCER 6V PIN NORYL

ROHS COMPLIANT

COLOR : BLACK

ELECTRICAL SPECIFICATIONS

<u>MODEL NO.</u>		<u>DB06LFPN</u>
<u>OPERATING VOLTAGE RANGE</u>	(V)	3.0 ~ 8.0
<u>RATED VOLTAGE</u>	(V)	6
+ <u>MAX. RATED CURRENT</u>	(mA)	45
<u>COIL RESISTANCE</u>	(Ω)	50 ± 6
+ <u>MIN. SOUND OUTPUT AT 10 cm</u>	(dBA)	85
<u>RESONANT FREQUENCY</u>	(Hz)	2048
<u>OPERATING TEMPERATURE</u>	(°C)	- 30.0 ~ + 70.0
<u>STORAGE TEMPERATURE</u>	(°C)	- 40.0 ~ + 80.0
<u>TERMINAL</u>		PIN
<u>HOUSING MATERIAL</u>		NORYL
<u>WEIGHT</u>	(g)	7

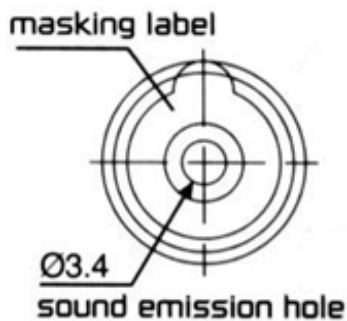
+ Value applying rated voltage resonant frequency, 1/2 duty , square wave

* Value applying resonant frequency, 1/2 duty , square wave ,measuring current 60uA

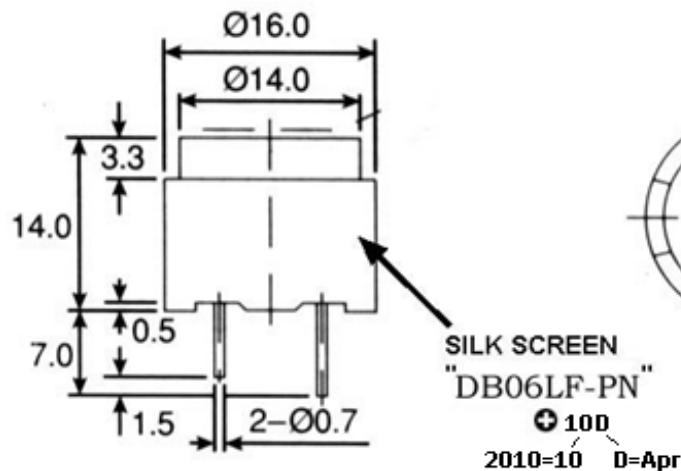
DIMENSIONS

UNIT : mm

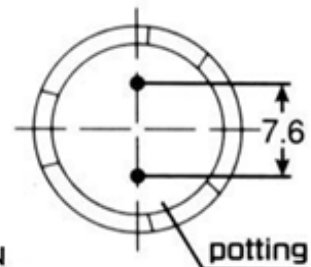
TOP VIEW



SIDE VIEW



BOTTOM VIEW



Approved By :
Date : 6-Aug.-2010

Prepared By :
Date : 6-Aug.-2010

Modify :	Date :	By :
Add date code	15-Nov-06	Eric
change MAX. rated current	29-Jul-10	Wai
Add Storage Temperature	6-Aug-10	Joey