

## SPECIFICATIONS SHEET

**PRODUCT TYPE : MAGNETIC TRANSDUCER**

**PRODUCT SERIES : DB111**

**DESCRIPTION : MT TRANSDUCER 1.5V PIN NORYL SP**

**LEAD FREE MATERIAL**

**COLOR : BLACK**

**ELECTRICAL SPECIFICATIONS**

<b>MODEL NO.</b>	<b>DB111GFLFPN</b>
OPERATING VOLTAGE RANGE ( V )	1 ~ 5
RATED VOLTAGE ( V )	1.5
+ MAX. RATED CURRENT ( mA )	30
COIL RESISTANCE ( Ω )	16 ± 4.5
+ MIN. SOUND OUTPUT AT 10 cm ( dBA )	85
RESONANT FREQUENCY ( Hz )	2048
OPERATING TEMPERATURE ( °C )	-20 ~ +60
TERMINAL	PIN
HOUSING MATERIAL	NORYL
WEIGHT ( g )	2

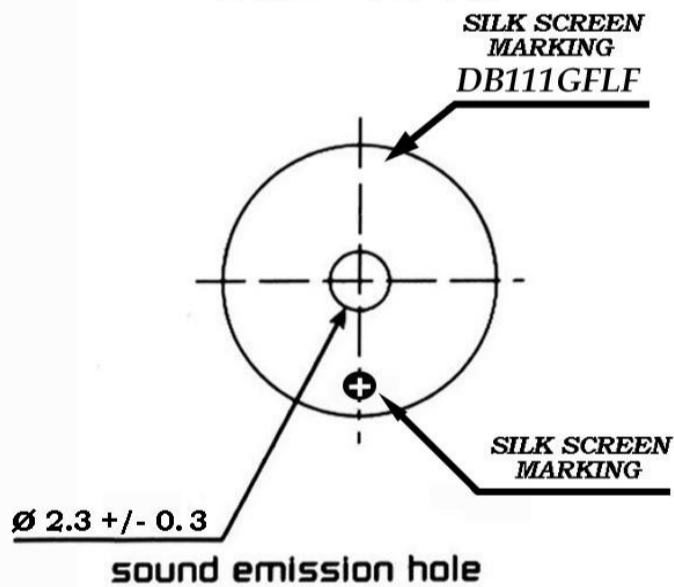
+ Value applying rated voltage resonant frequency, 1/2 duty , square wave

\* Value applying resonant frequency, 1/2 duty , square wave ,measuring current 60uA

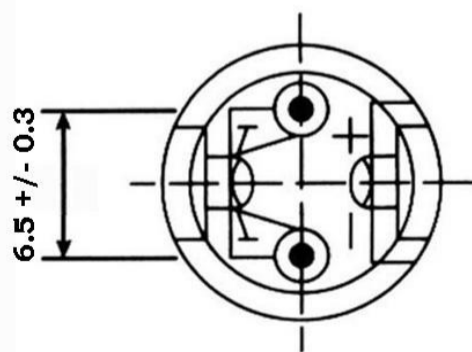
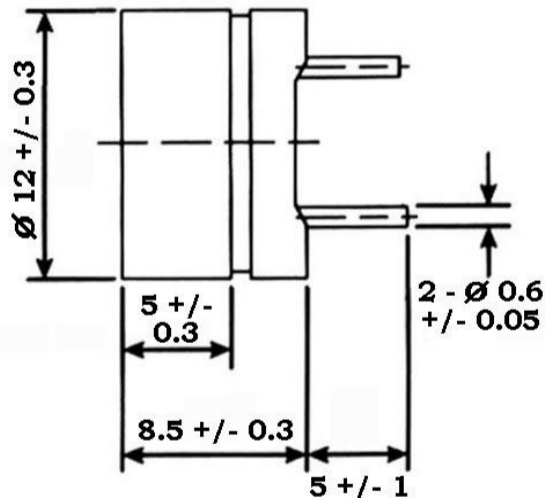
**DIMENSIONS**

UNIT : mm

**TOP VIEW**



**SIDE VIEW**



**BOTTOM VIEW**

Modify :	Date :	By :

Approved By :  
Date : 25-Jan-2005

Prepared By :  
Date : 25-Jan-2005