

SPECIFICATIONS SHEET

PRODUCT TYPE : MAGNETIC TRANSDUCER

PRODUCT SERIES : DBX

DESCRIPTION : MT TRANSDUCER 12V PIN NORYL RoHS

COLOR : BLACK

ELECTRICAL SPECIFICATIONS

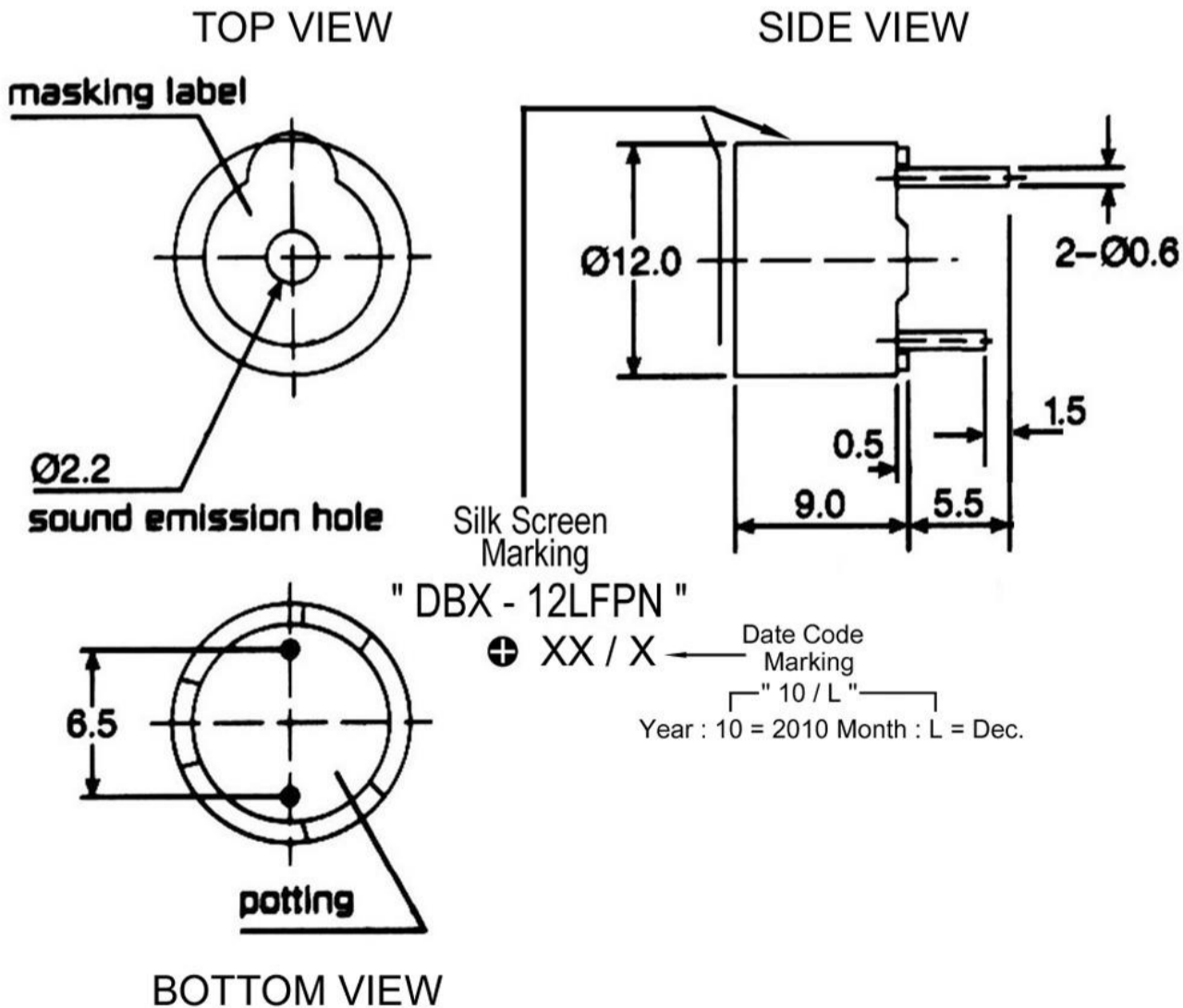
| MODEL NO. | | DBX12LFPN |
|------------------------------|---------|-----------------|
| OPERATING VOLTAGE RANGE | (V) | 6.0 ~ 15.0 |
| RATED VOLTAGE | (V) | 12.0 |
| + MAX. RATED CURRENT | (mA) | 40.0 |
| COIL RESISTANCE | (Ω) | 140.0 ± 14.0 |
| * COIL IMPEDANCE | (Ω) | 240 |
| + MIN. SOUND OUTPUT AT 10 cm | (dBA) | 85.0 |
| RESONANT FREQUENCY | (Hz) | 2400 |
| OPERATING TEMPERATURE | (°C) | - 40.0 ~ + 85.0 |
| TERMINAL | | PIN |
| HOUSING MATERIAL | | NORYL |
| WEIGHT | (g) | 2.0 |

+ Value applying rated voltage resonant frequency, 1/2 duty, square wave

* Value applying resonant frequency, 1/2 duty, square wave, measuring current 60uA

DIMENSIONS

UNIT : mm



Approved By :
Date : 10-May-2012

Prepared By :
Date : 10-May-2012

| | | |
|--------------------------------------|-----------|------|
| Modify : | Date : | By : |
| Operating temp. change to -20~+80 °C | 1-Dec-10 | Joey |
| Operating temp. change to -40~+85 °C | 10-May-12 | Joey |
| | | |