

SPECIFICATIONS SHEET

PRODUCT TYPE : MAGNETIC BUZZER

PRODUCT SERIES : HDB

DESCRIPTION : MT BUZZER SINGLE 6VDC PIN NORYL RoHS

COLOR : BLACK

ELECTRICAL SPECIFICATIONS

MODEL NO.	HDB06LF - PN	
OPERATING VOLTAGE RANGE	(VDC)	4.0 ~ 8.0
RATED VOLTAGE	(VDC)	6.0
* MAX. RATED CURRENT	(mA)	30.0
* MIN. SOUND OUTPUT	(dBA/ 10 cm)	85.0
* FREQUENCY	(Hz)	2300 ± 300
TONE NATURE		SINGLE
OPERATING TEMPERATURE	(°C)	- 40 ~ + 85
TERMINAL		PIN
HOUSING MATERIAL		NORYL
WEIGHT	(g)	7.0

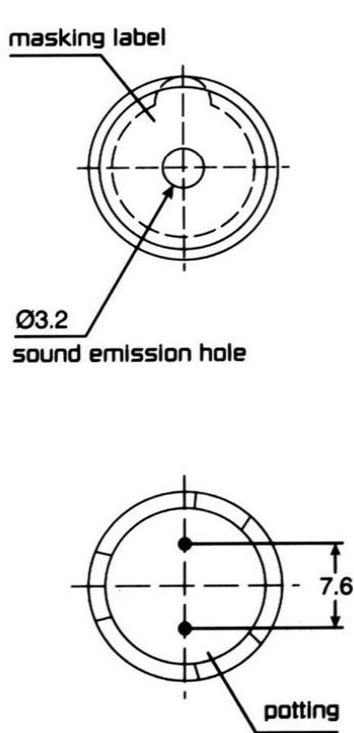
* Value applying at rated voltage

DIMENSIONS

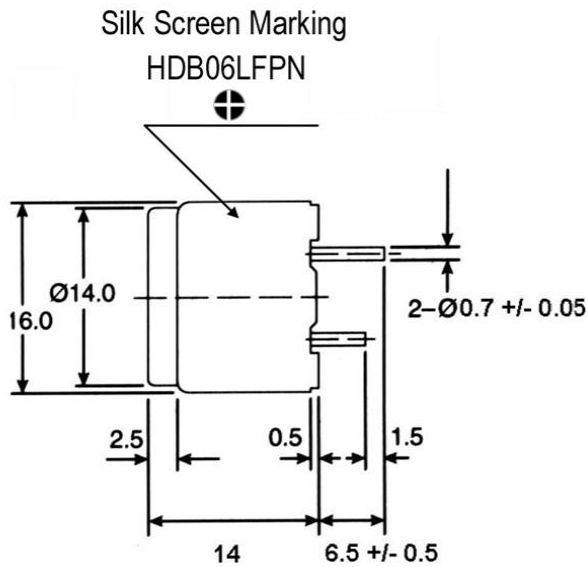
UNIT : mm

TOP VIEW

SIDE VIEW



BOTTOM VIEW



Approved By :
Date : 23-Jul.-2009

Prepared By :
Date : 23-Jul.-2009

Modify :	Date :	By :