

SPECIFICATIONS SHEET

PRODUCT TYPE : MAGNETIC BUZZER

PRODUCT SERIES : HDB

DESCRIPTION : MT BUZZER SINGLE 12VDC PIN NORYL RoHS

COLOR : BLACK

ELECTRICAL SPECIFICATIONS

MODEL NO.	HDB12LFPN	
OPERATING VOLTAGE RANGE (V)	8.0 ~ 15.0	
RATED VOLTAGE (V)	12.0	
+ MAX. RATED CURRENT (mA)	30.0	
+ MIN. SOUND OUTPUT AT 10.0 cm (dBA)	85.0	
RESONANT FREQUENCY (Hz)	2300 ± 300	
OPERATING TEMPERATURE (°C)	- 40.0 ~ + 90.0	
STORAGE TEMPERATURE (°C)	- 40.0 ~ + 90.0	
TERMINAL	PIN	
HOUSING MATERIAL	NORYL	
WEIGHT (g)	7.0	

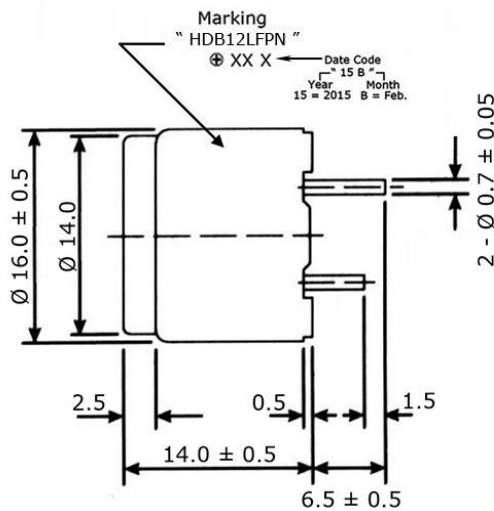
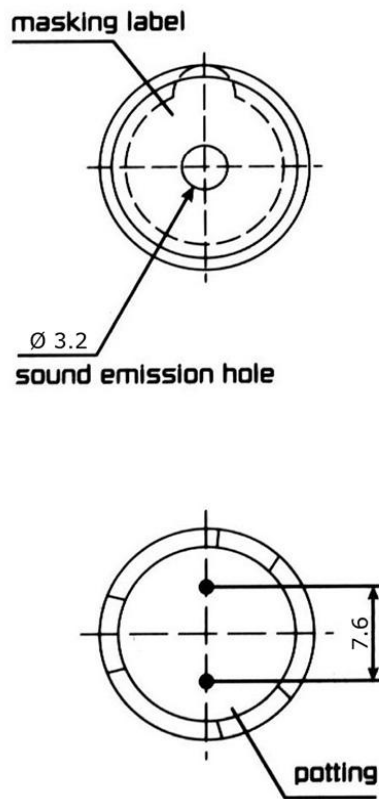
* Value applying at rated voltage

DIMENSIONS

UNIT : mm Tolerance : ± 0.5 mm

TOP VIEW

SIDE VIEW



BOTTOM VIEW

Modify :	Date :	By :
Operating & Storage Temp. change to -40 ~ + 90 °C	26-Feb.-2015	Wai

Approved By :
Date : 26-Feb.-2015

Prepared By :
Date : 26-Feb.-2015