

SPECIFICATIONS SHEET

PRODUCT TYPE : MAGNETIC BUZZER

PRODUCT SERIES : MDB

DESCRIPTION : MT BUZZER SINGLE 3VDC PIN NORYL

RoHS

COLOR : BLACK

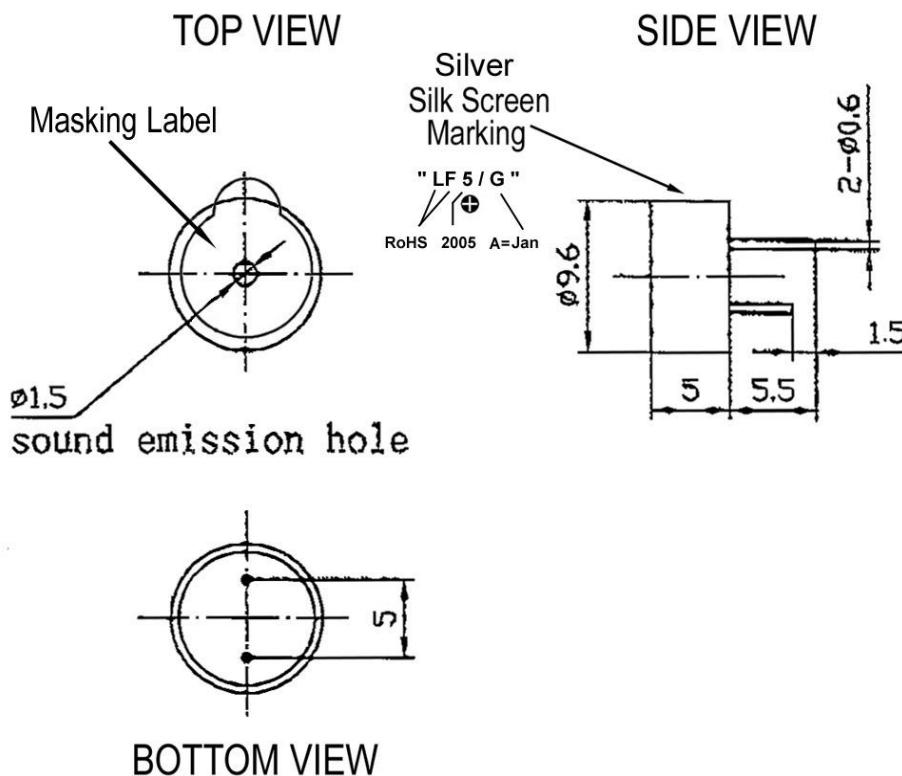
ELECTRICAL SPECIFICATIONS

MODEL NO.		MDB03FLFPN
OPERATING VOLTAGE RANGE (VDC)		2.0 ~ 5.0
RATED VOLTAGE (VDC)		3.0
* MAX. RATED CURRENT (mA)		20.0
* MIN. SOUND OUTPUT (dBA/ 10 cm)		73.0
* FREQUENCY (Hz)		2500 ± 200
TONE NATURE		SINGLE
OPERATING TEMPERATURE (°C)		- 25 ~ + 70
TERMINAL		PIN
HOUSING MATERIAL		NORYL
WEIGHT (g)		1.0

* Value applying at rated voltage

DIMENSIONS

UNIT : mm



Modify :	Date :	By :

Approved By :
Date : 31-Aug.-2005

Prepared By :
Date : 31-Aug.-2005