

**Specifications Sheet**

Product Type : *Magnetic Transducer*  
 Product Series : *PDX*  
 Description : *MT TRANSDUCER 1.5V PIN NORYL SP RoHS*  
 Color : *Black*

*Electrical Specifications*

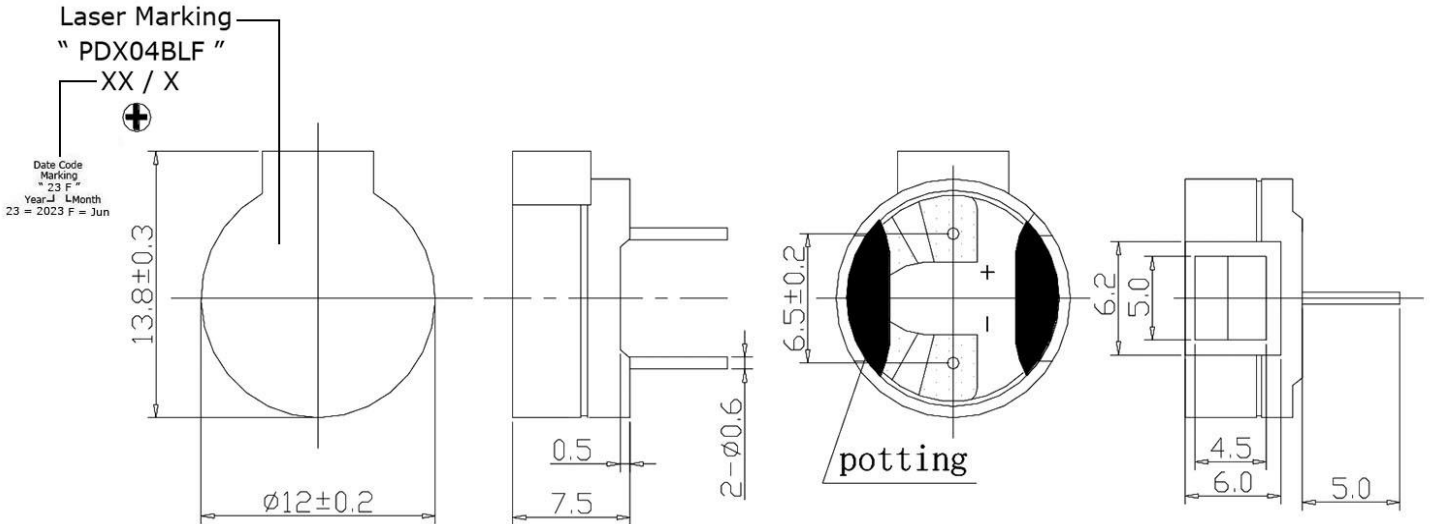
Model No.		PDX04BFLFPN
Operating Voltage Range	( V )	1.0 ~ 3.0
Rated Voltage	( V )	1.5
Max. Rated Current	( mA )	70.0
Coil Resistance	( Ω )	6.5 ± 1.0
Min. Sound Output at 10.0 cm	( dBA )	85.0
Resonant Frequency	( Hz )	2731.0
Operating Temperature	( ° C )	- 30.0 ~ + 70.0
Storage Temperature	( ° C )	- 40.0 ~ + 85.0
Terminal		Pins
Housing Material		Noryl
Weight	( g )	2.0

- + Value applying rated voltage 2731.0 Hz,1/2 duty , square wave
- \* Value applying resonant frequency,1/2 duty , square wave ,measuring current 60.0 uA

**Dimensions**

Unit : mm  
 Tolerance : ± 0.5 mm

**TOP VIEW      SIDE VIEW      BOTTOM VIEW      SIDE VIEW**



Approved By :  
 Date : 01 Jun 2023

Prepared By :  
 Date : 01 Jun 2023

Modify :	Date :	By :
1) Operating Voltage Range : 1 ~ 2 V change to 1 ~ 3V. 2) Operating Temperature : -20 ~ +60 °C change to -30 ~ +70 °C. 3) Add Storage Temperature infomraion. 4) Silk Screen Marking change to Laser Marking. 5) Modify Mechanical Draw.	01 June 2023	Brian