

SPECIFICATIONS SHEET

PRODUCT TYPE : MAGNETIC TRANSDUCER

PRODUCT SERIES : SCDX

DESCRIPTION : MT TRANSDUCER 5V SMD PPS SP

1) TAPE & REEL PACKING 2) RoHS

COLOR : GREY

ELECTRICAL SPECIFICATIONS

MODEL NO.	SCDX05LFRMP	
OPERATING VOLTAGE RANGE	(V)	4.0 ~ 8.0
RATED VOLTAGE	(V)	5.0
+ MAX. RATED CURRENT	(mA)	40.0
COIL RESISTANCE	(Ω)	47.0 ± 5.0
+ MIN. SOUND OUTPUT AT 10.0 cm	(dBA)	87.0
RESONANT FREQUENCY	(Hz)	2400.0
OPERATING TEMPERATURE	(°C)	- 40.0 ~ + 85.0
STORAGE TEMPERATURE	(°C)	- 40.0 ~ + 85.0
TERMINAL		SMD
HOUSING MATERIAL		PPS
WEIGHT	(g)	2.0

+ Value applying rated voltage 2400 Hz, 1/2 duty, square wave

* Value applying resonant frequency, 1/2 duty, square wave, measuring current 60uA

DIMENSIONS

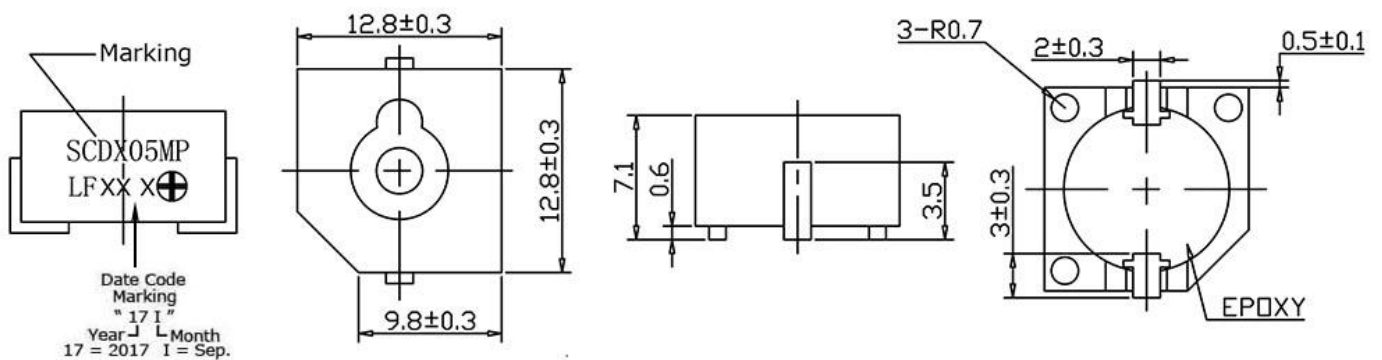
UNIT : mm Tolerance : ± 0.5 mm

SIDE VIEW

TOP VIEW

SIDE VIEW

BOTTOM VIEW



Approved By :
Date : 06 Sep 2017

Prepared By :
Date : 06 Sep 2017

Modify :	Date :	By :
1) Operating Temperature : -30 ~ + 70 °C change to -30 ~ +85 °C. 2) Modify " Mechanical Draw ".	5-Sep-17	Nelson
1) Operating Temperature : -30 ~ + 85 °C change to -40 ~ +85 °C. 2) Modify " Mechanical Draw ".	6-Sep-17	Nelson