

**SPECIFICATIONS SHEET**

**PRODUCT TYPE : MAGNETIC BUZZER**

**PRODUCT SERIES : STDB**

**DESCRIPTION : MT BUZZER SINGLE 12VDC SMD PPS RoHS**

**1) YELLOW KAPTON LABEL 2) TAPE & REEL PACKING**

**COLOR : GRAY**

**ELECTRICAL SPECIFICATIONS**

<b>MODEL NO.</b>		<b>STDB12LFRMP</b>
<b>OPERATING VOLTAGE RANGE</b>	( VDC )	8.0 ~ 15.0
<b>RATED VOLTAGE</b>	( VDC )	12.0
* <b>MAX. RATED CURRENT</b>	( mA )	30.0
* <b>MIN. SOUND OUTPUT</b>	( dBA/ 10.0 cm )	88.0
* <b>FREQUENCY</b>	( Hz )	2400.0 ± 300.0
<b>TONE NATURE</b>		SINGLE
<b>OPERATING TEMPERATURE</b>	( °C )	- 40.0 ~ + 105.0
<b>STORAGE TEMPERATURE</b>	( °C )	- 40.0 ~ + 120.0
<b>TERMINAL</b>		SMD
<b>HOUSING MATERIAL</b>		PPS
<b>WEIGHT</b>	( g )	3.0

\* Value applying at rated voltage

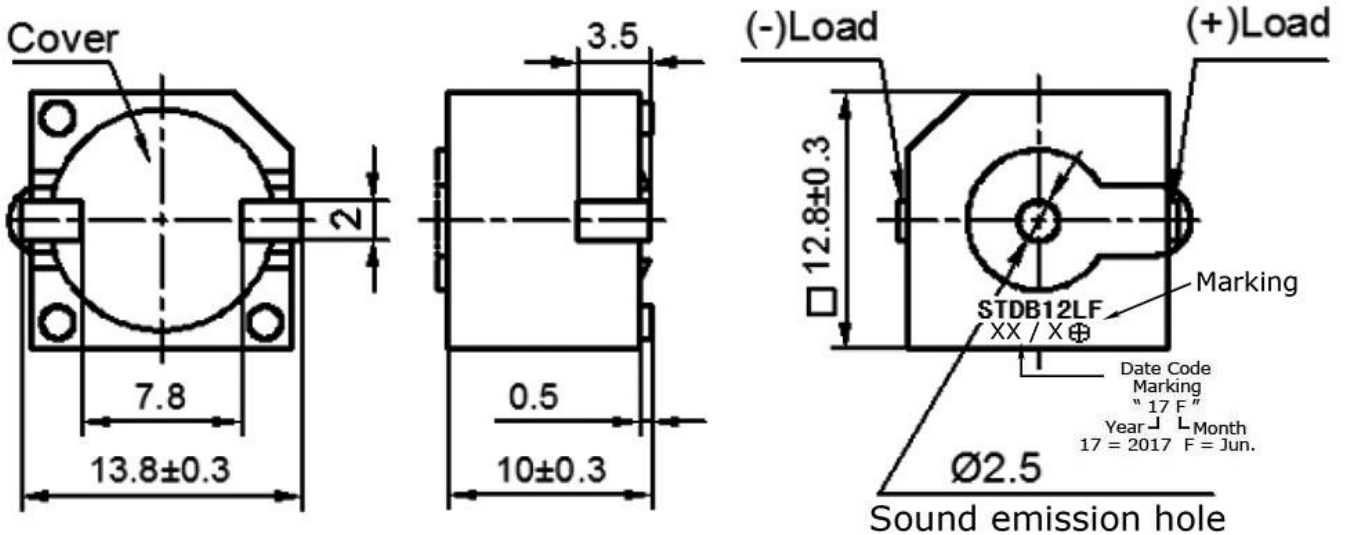
**DIMENSIONS**

**UNIT : mm Tolerance : ± 0.5 mm**

**BOTTOM VIEW**

**SIDE VIEW**

**TOP VIEW**



Modify :	Date :	By :
1) SPL Min. 85 dBA change to 88dBA. 2) Frequency 2300 ± 300 Hz change to 2400 Hz. 3) Operating Temp. - 40 ~ + 85 ° C change to - 40 ~ + 105 ° C. 4) Storage Temp. - 40 ~ + 85 ° C change to - 40 ~ + 120 ° C. 5) Weight 2 g change to 3 g. 6) Modify " Mechanical Draw ". 7) Side marking change to top position.	08-Jun-17	Nelson

Approved By :  
Date : 08 Jun 2017

Prepared By :  
Date : 08 Jun 2017