

SPECIFICATIONS SHEET

PRODUCT TYPE : MAGNETIC BUZZER

PRODUCT SERIES : SUDB

DESCRIPTION : MT BUZZER SINGLE 5V SMD PPS RoHS SP

1) KAPTON LABEL 2) TAPE & REEL PACKING

COLOR : GREY

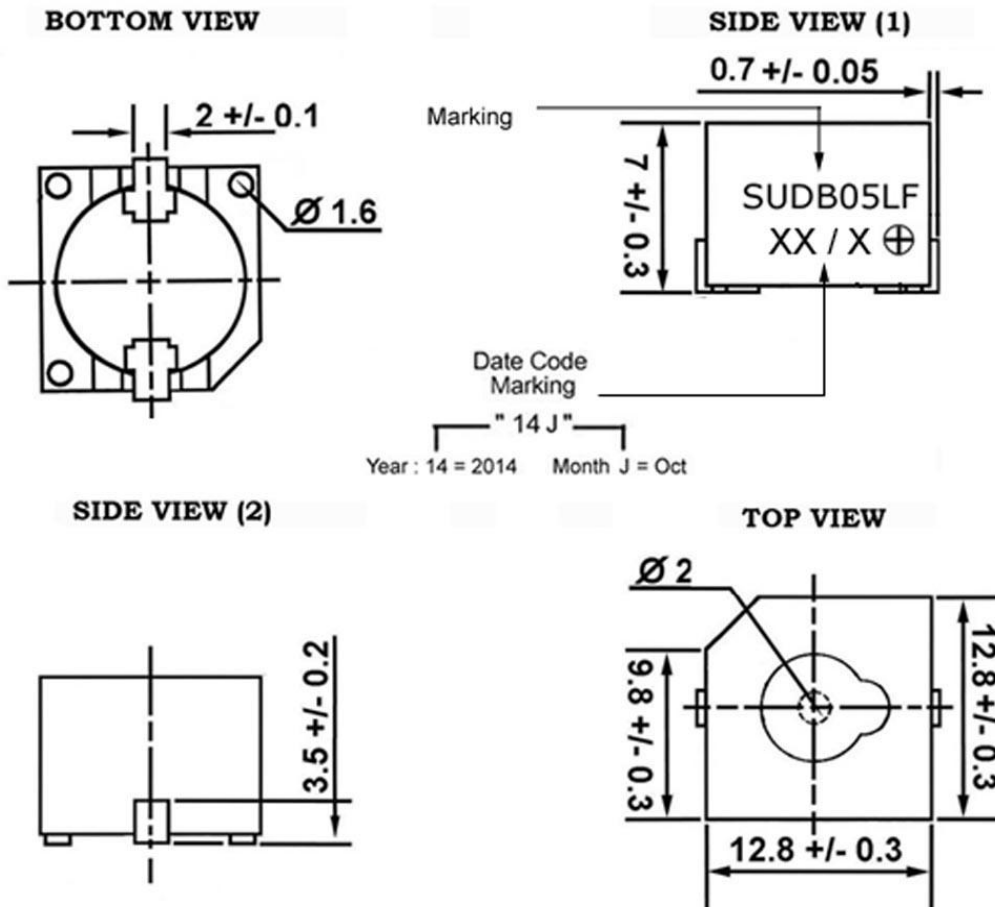
ELECTRICAL SPECIFICATIONS

MODEL NO.		SUDB05LFRMP
OPERATING VOLTAGE RANGE (VDC)		4.0 ~ 7.0
RATED VOLTAGE (VDC)		5.0
* MAX. RATED CURRENT (mA)		30.0
* MIN. SOUND OUTPUT (dBA/ 10 cm)		88.0
* FREQUENCY (Hz)		2400 ± 300
STONE NATURE		SINGLE
OPERATING TEMPERATURE (°C)		- 40 ~ + 85
TERMINAL		SMD
HOUSING MATERIAL		PPS
WEIGHT (g)		2.0

* Value applying at rated voltage

DIMENSIONS

UNIT : mm



Approved By :
Date : 23-Oct.-2014

Prepared By :
Date : 23-Oct.-2014

Modify :	Date :	By :