

**SPECIFICATIONS SHEET**

**PRODUCT TYPE : MAGNETIC BUZZER**

**PRODUCT SERIES : SUDB**

**DESCRIPTION : MT BUZZER SINGLE 12VDC SMD PPS SP 1 ) KAPTON LABEL  
2 ) TAPE & REEL PACKING 3 ) RoHS**

**COLOR : GREY**

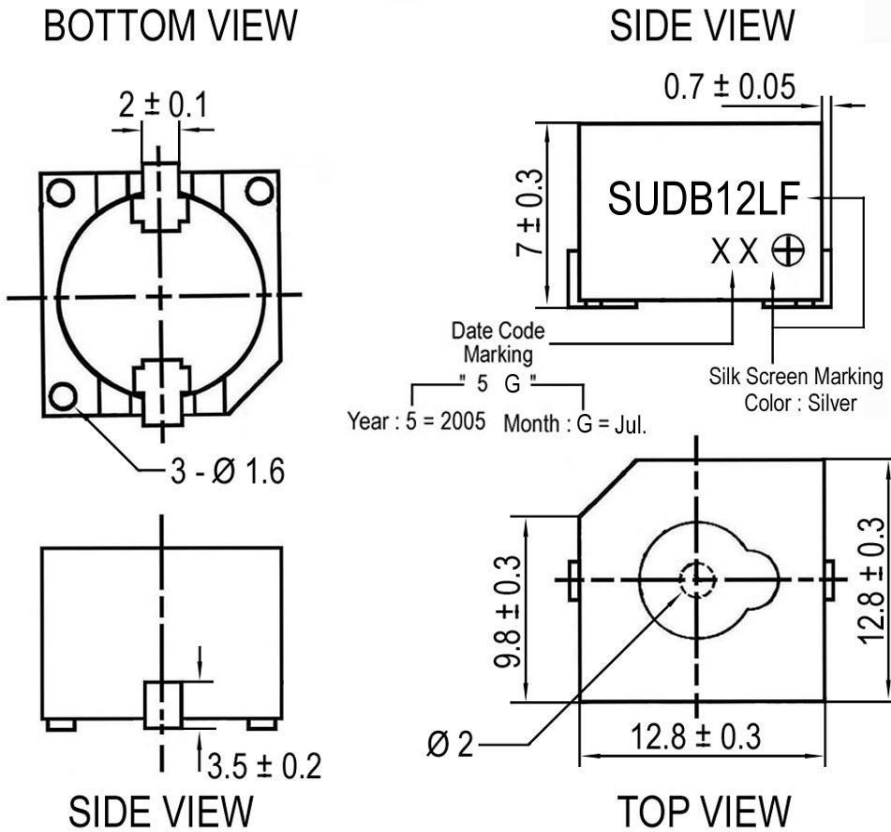
**ELECTRICAL SPECIFICATIONS**

<b>MODEL NO.</b>	<b>SUDB12LFRMP</b>	
<b>OPERATING VOLTAGE RANGE</b> ( VDC )	8.0 ~ 15.0	
<b>RATED VOLTAGE</b> ( VDC )	12.0	
* <b>MAX. RATED CURRENT</b> ( mA )	30.0	
* <b>MIN. SOUND OUTPUT</b> ( dBA/ 10 cm )	85.0	
* <b>FREQUENCY</b> ( Hz )	2400 ± 300	
<b>TONE NATURE</b>	SINGLE	
<b>OPERATING TEMPERATURE</b> ( °C )	- 20 ~ + 70	
<b>TERMINAL</b>	SMD	
<b>HOUSING MATERIAL</b>	PPS	
<b>WEIGHT</b> ( g )	2.0	

\* Value applying at rated voltage

**DIMENSIONS**

**UNIT : mm**



Approved By :  
Date : 29-Jul.-2005

Prepared By :  
Date : 29-Jul.-2005

Modify :	Date :	By :