

Specifications Sheet

Product Type : *Magnetic Transducer*

Product Series : *UDT042A*

Description : *MT TRANSDUCER 3V SMD LCP RoHS*

Electrical Specifications

Model No.	UDT042A3DLFMP	
Operating Voltage Range (V)	2.0 ~ 4.0	
Rated Voltage (V)	3.0	
Max. Rated Current (mA)	90.0	
Coil Resistance (Ω)	17.0 \pm 3.0	
Min. Sound Output at 10.0 cm (dBA)	70.0	
Resonant Frequency (Hz)	4000.0	
Operating Temperature ($^{\circ}$ C)	- 40.0 ~ + 85.0	
Storage Temperature ($^{\circ}$ C)	- 40.0 ~ + 85.0	
Terminal	SMD	
Housing Material	LCP	
Weight (g)	0.1	

+ Value applying rated voltage 4000 Hz, 1/2 duty, square wave

* Value applying resonant frequency, 1/2 duty, square wave, measuring current 60uA

Dimensions

Unit : mm

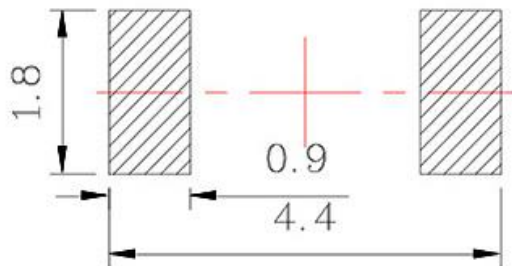
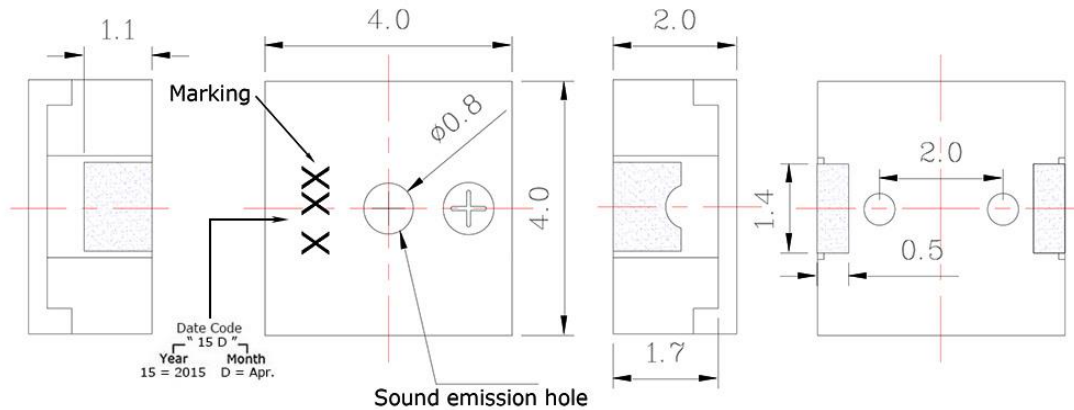
Tolerance : \pm 0.3 mm

SIDE VIEW

TOP VIEW

SIDE VIEW

BOTTOM VIEW



Recommend PCB Layout

Approved By :
Date : 12 Jan 2023

Prepared By :
Date : 12 Jan 2023

Modify :	Date :	By :
1) Operating Temperature : -20 ~ +70 $^{\circ}$ C change to -40 ~ +85 $^{\circ}$ C. 2) Storage Temperature : -30 ~ +80 $^{\circ}$ C change to -40 ~ +85 $^{\circ}$ C.	12 Jan 2023	Brian