

SPECIFICATIONS SHEET

PRODUCT TYPE : MAGNETIC TRANSDUCER

PRODUCT SERIES : UDX

DESCRIPTION : MT TRANSDUCER 5V PIN NORYL SP RoHS

COLOR : BLACK

ELECTRICAL SPECIFICATIONS

MODEL NO.		UDX05BLFPN
OPERATING VOLTAGE RANGE (V)		4.0 ~ 8.0
RATED VOLTAGE (V)		5.0
+ MAX. RATED CURRENT (mA)		100.0
COIL RESISTANCE (Ω)		40.0 \pm 7.5
+ MIN. SOUND OUTPUT AT 10 cm (dBA)		85.0
RESONANT FREQUENCY (Hz)		2731
OPERATING TEMPERATURE ($^{\circ}$ C)		- 20 ~ + 60
TERMINAL		PIN
HOUSING MATERIAL		NORYL
WEIGHT (g)		1.0

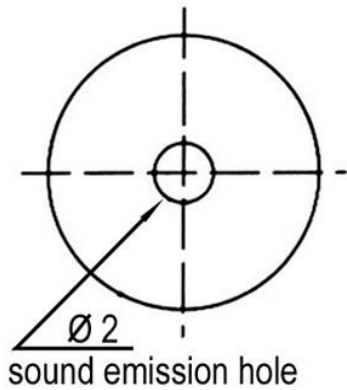
+ Value applying rated voltage resonant frequency, 1/2 duty, square wave

* Value applying resonant frequency, 1/2 duty, square wave, measuring current 60uA

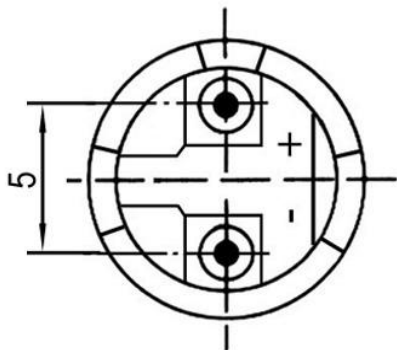
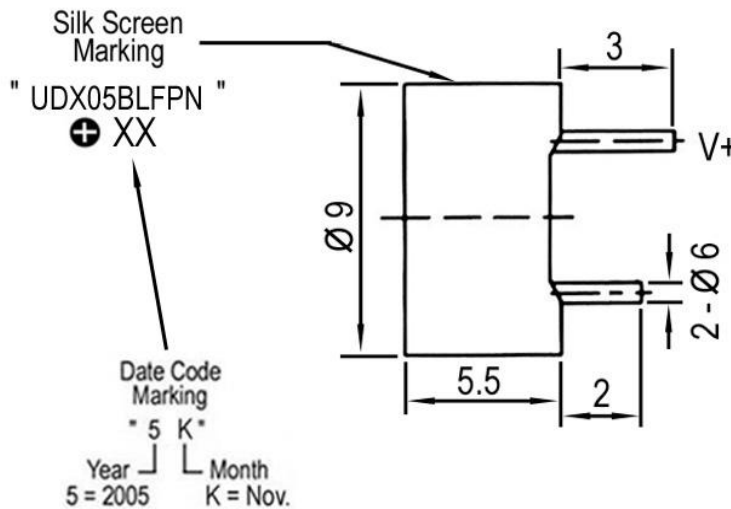
DIMENSIONS

UNIT : mm

TOP VIEW



SIDE VIEW



BOTTOM VIEW

Modify :	Date :	By :

Approved By :
Date : 9-Nov.-2005

Prepared By :
Date : 9-Nov.-2005