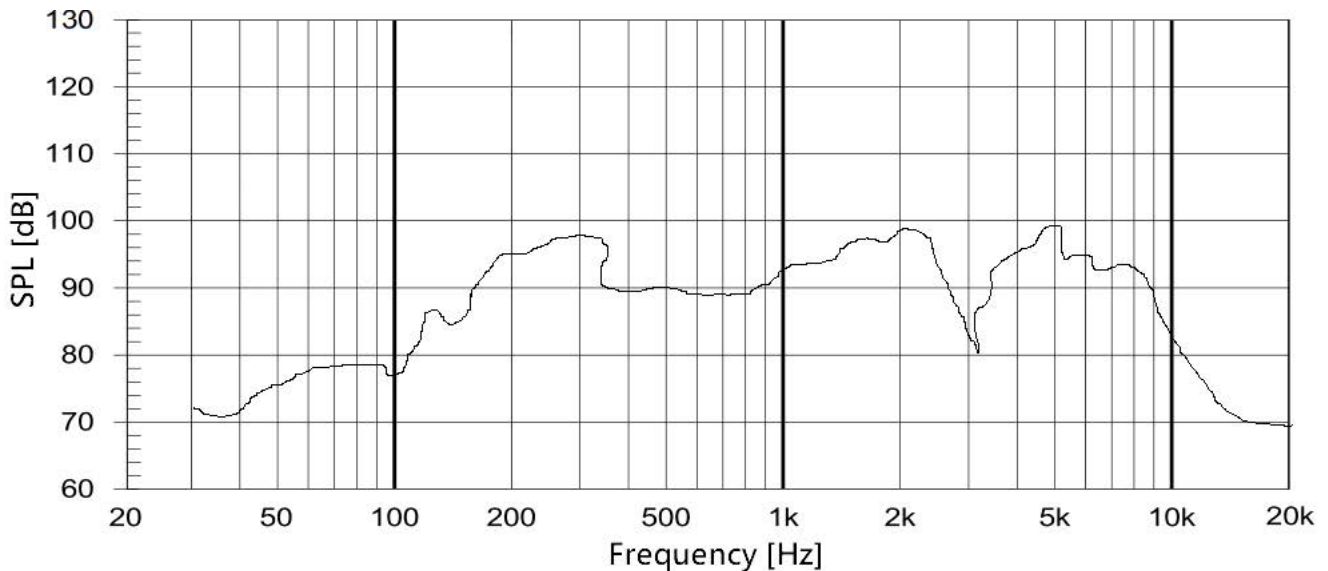


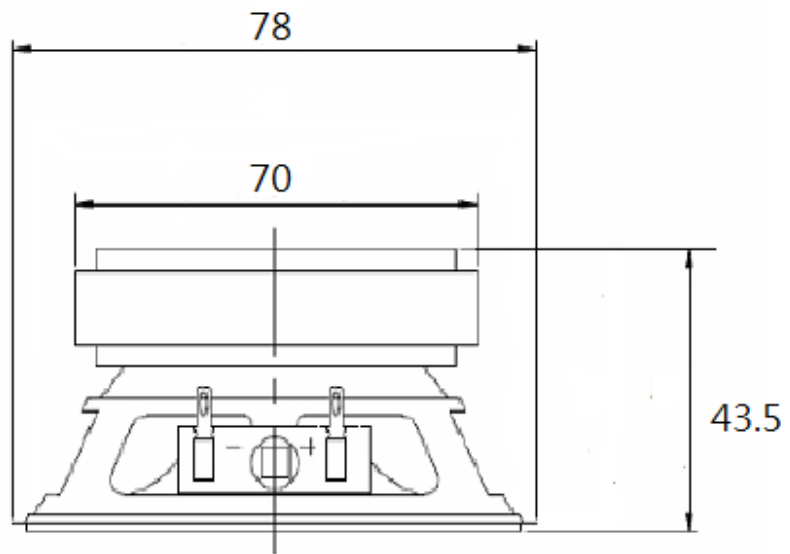
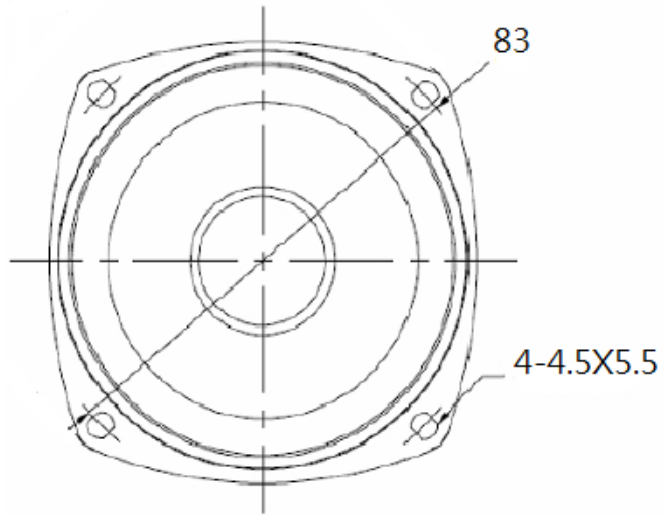
SHOGYO INTERNATIONAL CORP.

www.shogyo.com

SPEAKER SPECIFICATIONS

MODEL NO.	GF0780BX (RoHS)				
1	NOMINAL SIZE	78 mm	inch		
2	IMPEDANCE	8 Ω ± 15%			
3	RESONANCE FO	180 Hz ± 36 Hz	FO Hz	1 V	
4	S.P. LEVEL	95 dB/w ± 3 dB	1 W 50 cm average at 300, 500, 600, 800 Hz		
5	FREQ. RESPONSE	Fo Hz ~ 20K Hz			
6	INPUT POWER	Rated Power 10 W	Max Power 15 W		
7	OPERATION	Must be normal at program source 10 W			
8	BUZZ, RATTLE, ETC.	Must be normal at Sine Wave 8.94 V			
9	MAGNET	70 x 32 x 10 mm			
10	TOTAL WEIGHT	403.5 grams			
11	DISTORTION	10% MAX at 1K HZ 1W			
12	LOAD TEST	After test meets Item 7 and 8	White noise 2 W 5 Hours		
13	OPERATION TEMP.	Must be normal White Noise 10 W 24 Hours at 25° C (room temp.)			
14	HEAT TEST	After test meets Item 7 and 8	60 ± 2° C 20-50 % R.H. 24 Hours		
15	HUMIDITY TEST	After test meet Item 7 and 8	40 ± 2° C 90-95 % R.H. 24 Hours		





MODEL NO. GF0780BX

APPROVED	CHECKED	DRAWING