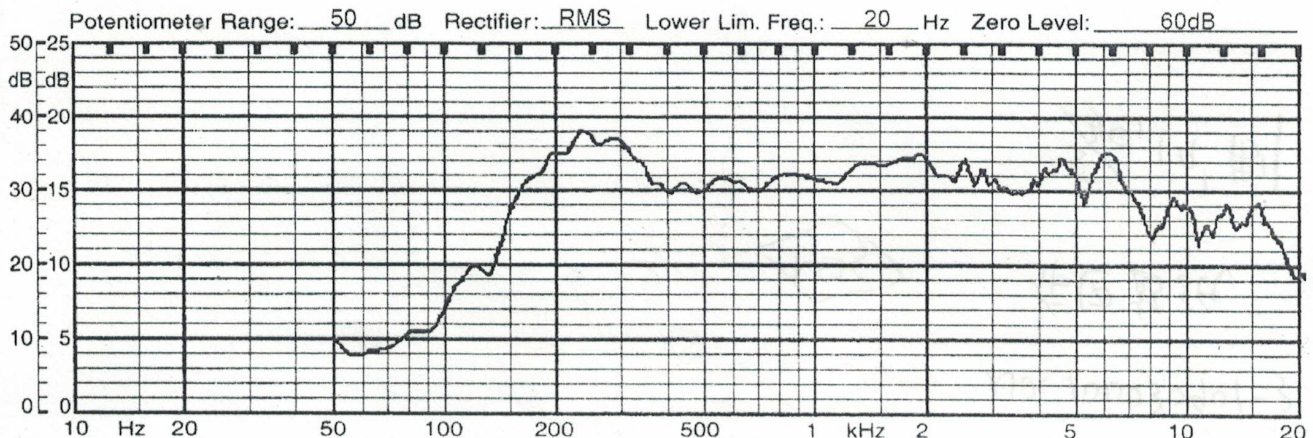


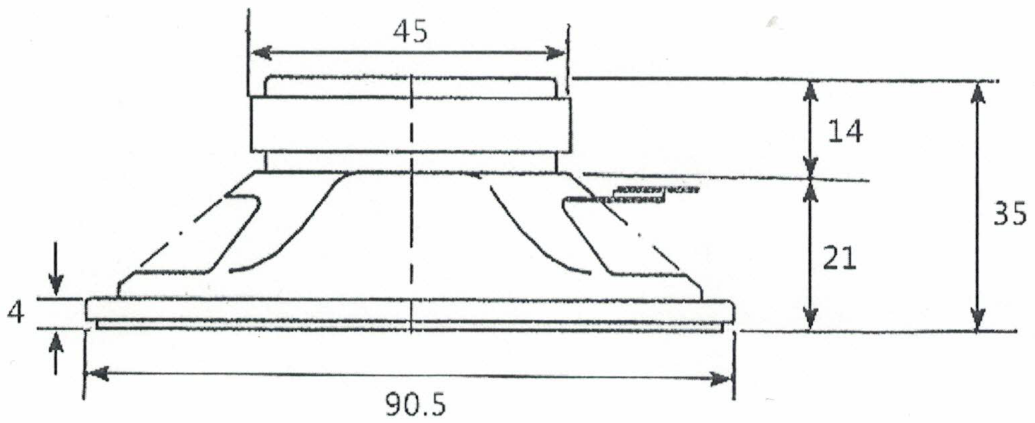
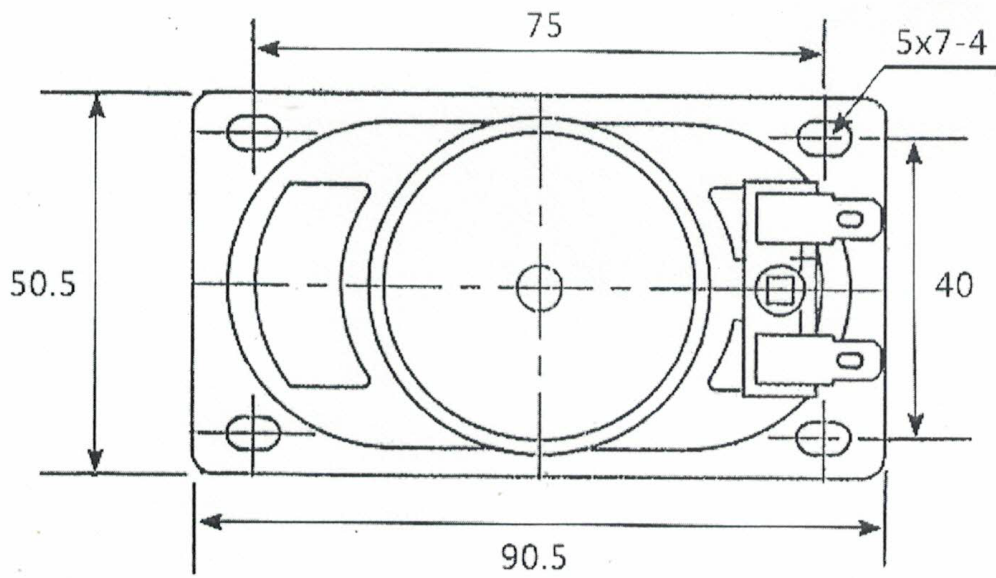
SHOGYO INTERNATIONAL CORP.

www.shogyo.com

SPEAKER SPECIFICATIONS

MODEL NO.	GF0901X-1 (RoHS)				
1	NOMINAL SIZE	50 x 90 mm	inch		
2	IMPEDANCE	8 Ω ± 15%			
3	RESONANCE FO	200 Hz ± 40 Hz			
4	S.P. LEVEL	93 dB/w ± 3 dB	1 W 50 cm average at 300, 500, 600, 800 Hz		
5	FREQ. RESPONSE	Fo Hz ~ 20K Hz			
6	INPUT POWER	Nominal Input 3 W	Handling Capacity 5 W		
7	OPERATION	Must be normal at program source 3 W			
8	BUZZ, RATTLE, ETC.	Must be normal at Sine Wave 4.89 V			
9	MAGNET	Ferrite 45 x 22 x 8 mm			
10	FLUX DENSITY	Gauss ± 10%	total flux max well within		
11	TOTAL WEIGHT	138	gr	oz	
12	LOAD TEST	After test meets Item 7 and 8	White noise 3 W 24 Hours		
13	OPERATING TEMP	-25° C ~ +60° C			
14	HEAT TEST	After test meets Item 7 and 8	60 ± 2° C 20-50 % R.H. 24 Hours		
15	HUMIDITY TEST	After test meet Item 7 and 8	40 ± 2° C 90-95 % R.H. 24 Hours		





MODEL NO.

GF0901X-1

APPROVED

CHECKED

DRAWING