

## Specifications Sheet

Product Type : Mylar Speaker  
 Product Series : M36IAH  
 Description : MY 36D 5H 17B 80hm F0 = 550Hz RoHS SP  
1) 98 +/- 3 dB at 1W, 10 cm 2) RATED POWER : 2 W  
3) MAX. POWER : 2.5 W 4) IP67

### Electrical Specifications

Model No.	M36IAH055008CLFSM-004	
Shape	Round	
Magnet	mm	Ø 12.5 x 1.5
Diameter (D ± 0.3)	mm	Ø 36.0
Height (H ± 0.3)	mm	5.0
Back Diameter (D ± 0.3)	mm	Ø 17.0
Resonant Frequency (In free air)	550.0 Hz ± 20.0 %	
Response Frequency f0 To	Hz	10.0 K
Rated Power (In free air)	W	2.0
Max Power (In free air)	W	2.5
Output (dB / 1.0 W ( 10.0 cm ) Ave 1.0 K, 1.2 K, 1.5 K, 2.0 K ( Hz )	dB	98.0 ± 3.0
Standard Impedance ± 15 % at 2.0 K Hz, 1.0 Vrms	Ω	8.0
Terminal	Nil	
THD	< 10.0 % ( At 1000.0 Hz, Input 1.0 W )	
Waterproof	IP67	
Rub & Buzz	A sine sweep among rated frequency range at rated power will not result in any buzzing or extraneous sound	
Polarity	When a DC source's "+" polarity is attached to speaker's "+" polarity, "-" polarity is attached speaker's "-" polarity, the membrane will move forward	
Operating Temperature	°C	- 20.0 ~ + 60.0
Storage Temperature	°C	- 30.0 ~ + 70.0
Housing Material	Metal	
Diaphragm Material	Mylar	
Weight	g	----

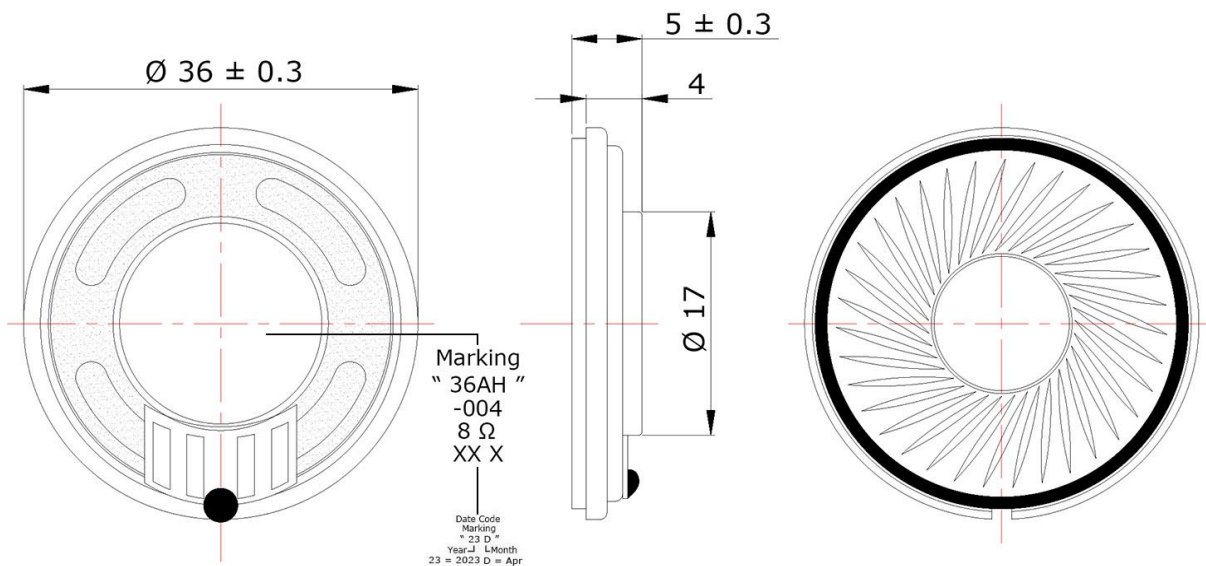
### Dimensions

Unit : mm  
 Tolerance : ± 0.3 mm

BOTTOM VIEW

SIDE VIEW

TOP VIEW



Modify :	Date :	By :

Approved By :  
 Date : 19 Apr 2023

Prepared By :  
 Date : 19 Apr 2023