

JS-606 (S.P rocker switch) / JS-606P (DP. rocker switch)

SPECIFICATIONS

1. Rating: K/ 6A 125VA/3A 250VAC (UL~CSA)
H/ 10A 125VAC/ 6A 250VAC (UL-KEMA)
L/ 5A 125VAC
T/ 16A 125VAC/10A 250VAC T105
2. CONTACT RESISTANCE: 30 mΩ(max)
3. Insulation resistance: DC 500V 100MΩ(Min)
4. Dielectric strength: 1,000 VAC/ 1minute.
5. Safety approval:

MATERIALS

1. Housing Nylon #66 (UL 94V-2)
2. Rocker Nylon #66 (UL 94V-2)
3. Terminal: Copper alloy Sn or Ag Plated
4. Contactor: Ag-cd-O alloy
5. Spring: Music wire

(A)

Model	Circuit	Terminal	Color Rocker/Housing	Stamp	Rating	RoHS code
JS-606	JS-606		B Black	1	K 6A	H = RoHS Compliant
	A 2P ON-OFF	Q	W White	2	H 10A	
	B 3P ON-ON	S	R Red	3	L 5AL	
	C 3P ON-OFF-ON	Sl	G Green	4	T 16A	
	D 2P (ON)-OFF	P	I Ivory	5		
	E 2P ON-(OFF)	PCB	H Gray	6		
	F 3P (ON)-ON	R	S Slate Gray	7		
	I 2P indicator	G	Y Yellow	8		
	L 4P with led	R1		9		
	AL 3P illuminated	PCC		10		
JS-606P	JS-606P			11		
	A 4P ON-OFF			12		
	B 6P ON-ON			13		
	C 6P ON-OFF-ON			14		
	D 4P (ON)-OFF			15		
	E 4P ON-(OFF)			16		
	F 6P (ON)-ON					
	AA 4P double ON-OFF					
	AB 5P ON-OFF ON-ON					
	BB 6P double ON-ON					
AI 4P ON-OFF with INDICATOR						

Stamp:
Apply for JS-606

1	2	3	4	5	6	7	8	9	10	11	12	13	14	15	16

Apply for JS-606P

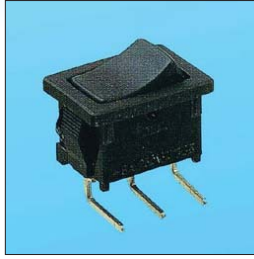
1	2	3	4	5	6	7	8	9	10	11	12	13

JS-606

JS-606C-S-R/B-6-□



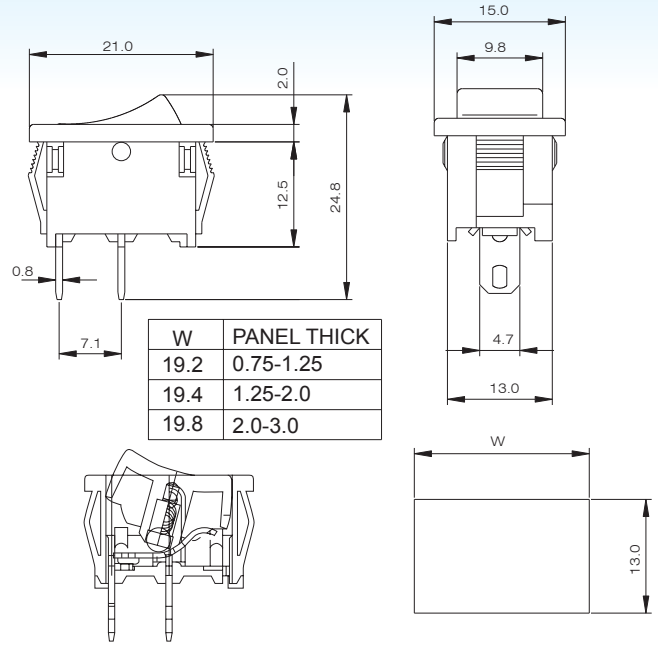
JS-606B-R-B/B-1-□



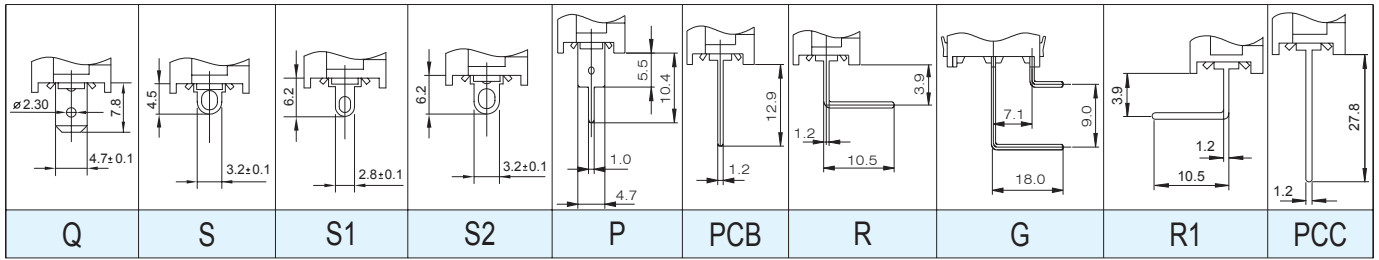
JS-606A-G-B/B-3-□



JS-606I-Q-G/B-1-□

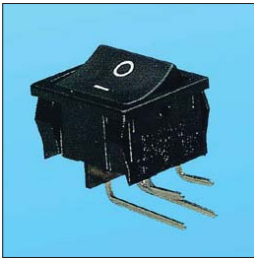


TERMINAL OPTION:



JS-606P

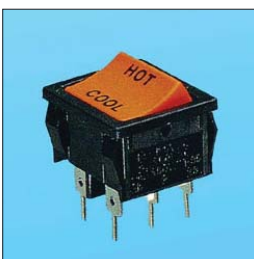
JS-606PA-R-B/B-4-□



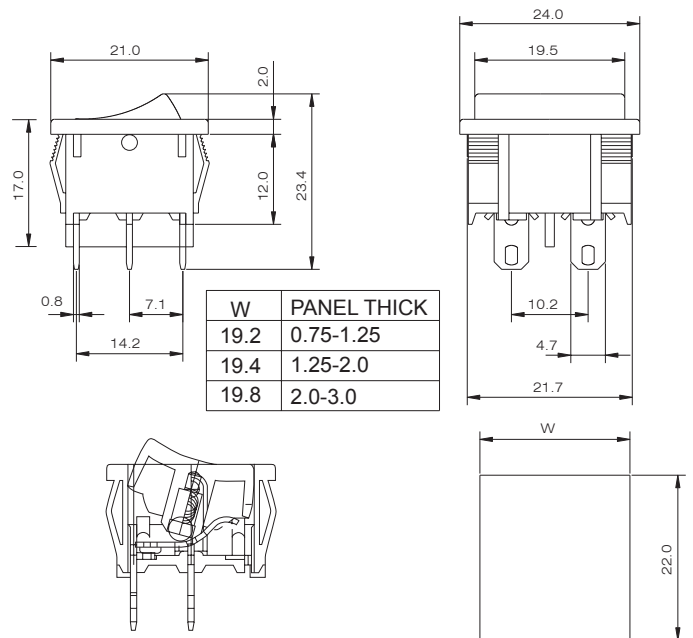
JS-606PAA-Q-B/B-1-□



JS-606PB-P-O/B-6-□



JA-606PAI-Q-R/B-2-□



TERMINAL OPTION:

