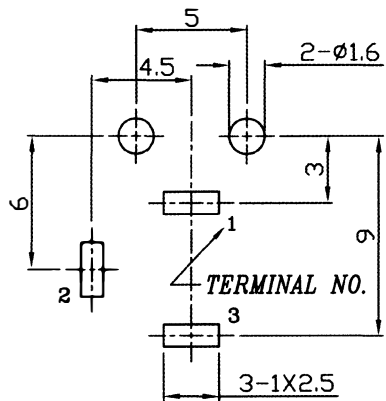
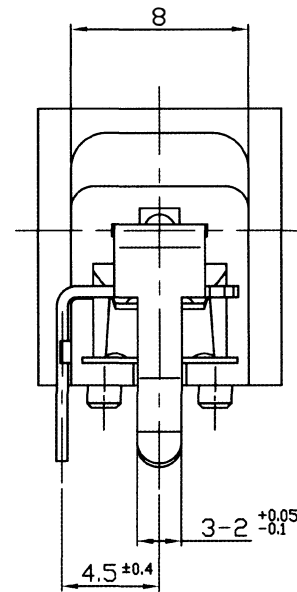
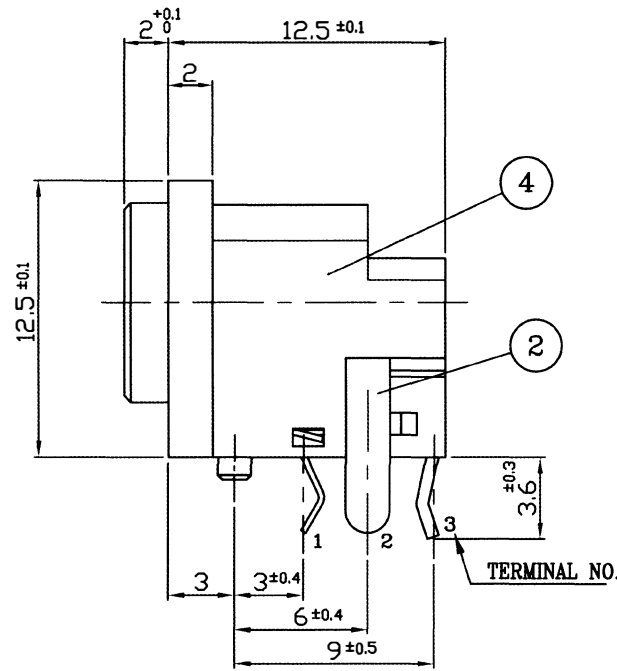
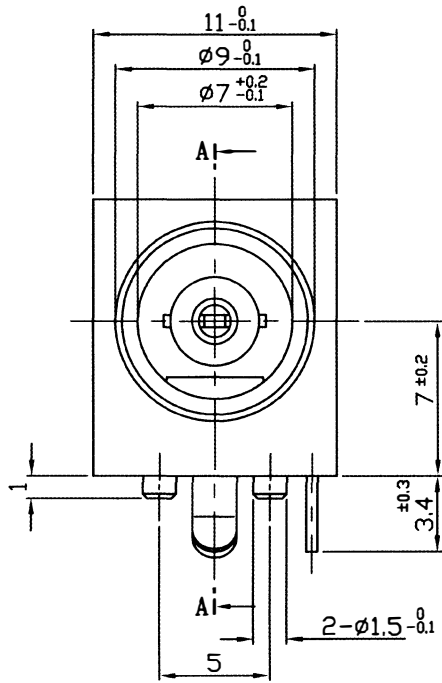
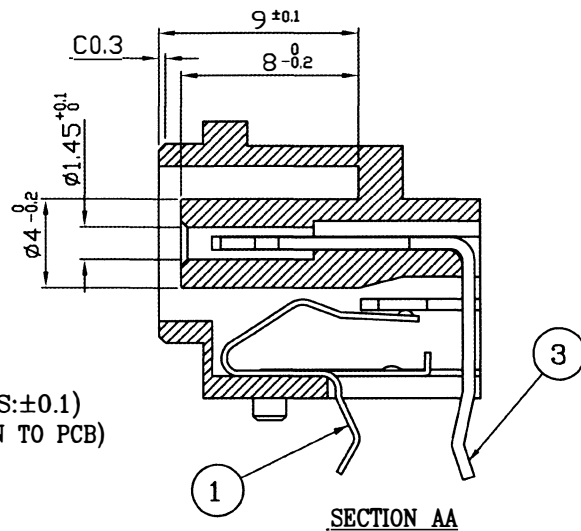


REVISION

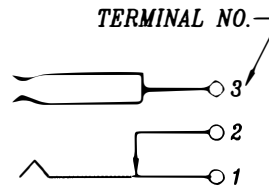
LTR	DESCRIPTION	DATE	APPROVED



PC BOARD HOLE LAYOUT (TOLS:±0.1)
(VIEW FROM DIRECTION OF INSERTION TO PCB)



SECTION AA



CIRCUIT DIAGRAM

4	JACK CASING	1	PBT/GF RESIN	BLACK
3	EARTH TERMINAL	1	BRASS 0.5t	Ag-PLATED
2	FIXED TERMINAL	1	BRASS 0.5t	Ag-PLATED
1	TIP SPRING	1	COPPER ALLOY 0.25t	Ag-PLATED

LET	PART NAME	QTY	MATERIAL	REMARK

TOLERANCES	PART NAME	DWG NO.
X ≤ 5 = ± 0.10	DC POWER JACK	M05-532A0
X > 5 = ± 0.30	MATL	SCALE
ANGULAR = ± ---	AS SHOWN IN TABLE	3/1 mm
DO NOT SCALE DWG.	DATE	DRN / APPD.
FINISHED	20-01-2010	Y.H.TSANG/K.F.IM
SHOGYO INTERNATIONAL CORPORATION		