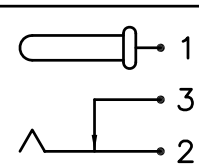
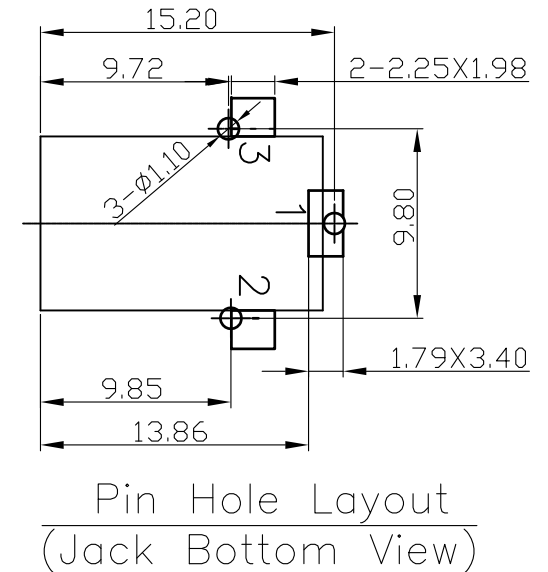
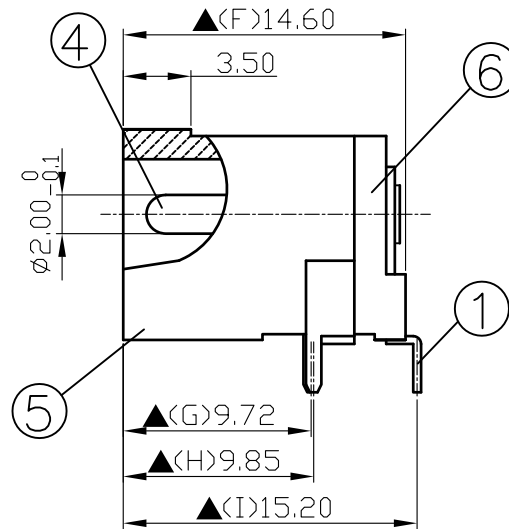
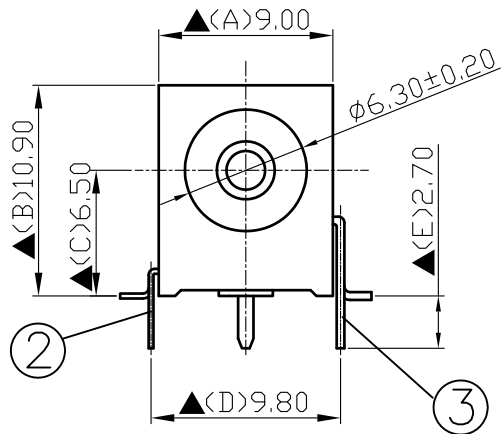


SCHEMATIC	
MODEL NO	C



6.	Cover	PA9T	1	Black Color
5.	Housing	PA9T	1	Black Color
4.	Pin(2.0φ)	Brass	1	Nickel Plated
3.	Break Terminal	0.4T Brass	1	Silver Plated
2.	Sleeve Spring	0.25T Phosphor Bronze	1	Silver Plated
1.	Pin Terminal	0.4T Brass	1	Silver Plated
NO.	Description	Material	Q'TY	Finish

For Redference
僅供參考

SHIGYO

DATE	DWN	CHKD	APVD	MANAGER
09.30.2021	王平華			

RoHS&SVHC
Compliant

PART NAME : DC POWER JACK

PART NUMBER:SCD446CCS000B00G

VERSION:6.0

TOLERANCE :±0.3mm UNLESS OTHERWISE SPECIFIED

UNIT:mm 

SCALE: /

SPECIFICATIONS:

Contact Resistance : 30mΩ max
 Current Rating : Max 5.0A , 16V DC
 Insulation Resistance : 100MΩ min. at DC 500V
 Dielectric Withstand Voltage : AC 500V for one minute
 Remark: ▲: The Most Important Dimension