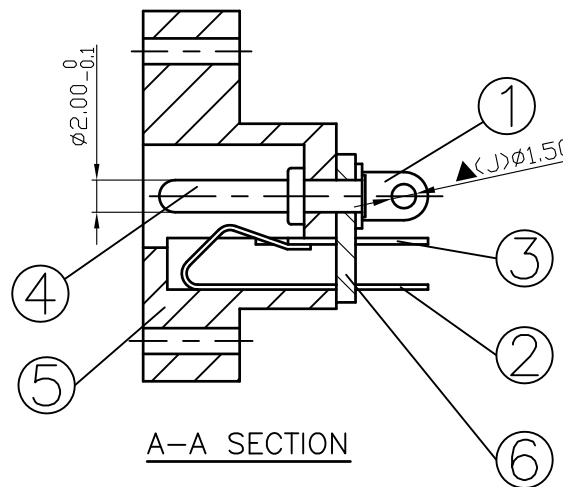
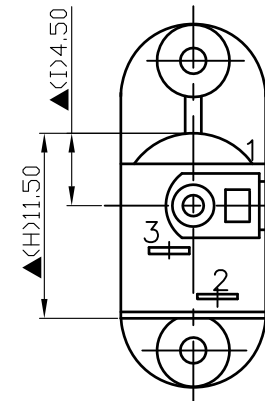
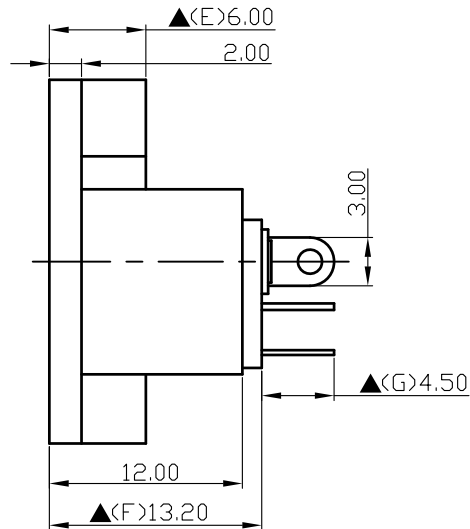
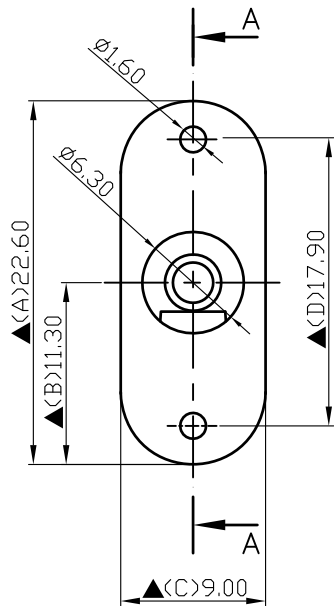


SCHEMATIC	
MODEL NO	C



6.	Cover	1.0T Bakelite	1	Black Color
5.	Housing	PBT+15%	1	Black Color
4.	Pin(2.0φ)	Brass	1	Nikel Plated
3.	Break Terminal	0.3T Brass	1	Silver Plated
2.	Sleeve Spring Terminal	0.2T Phosphor Bronze	1	Silver Plated
1.	Pin Terminal	0.4T Brass	1	Silver Plated
NO.	Description	Material	Q'TY	Finish

DATE	DWN	CHKD	APVD	MANAGER
10.12.2021	王平華			

SHOGYO

PART NAME : DC POWER JACK

PART NUMBER: SCD519CCS000B00G

VERSION:8.0

TOLERANCE :±0.3mm UNLESS OTHERWISE SPECIFIED

UNIT:mm



SCALE:1/1

SPECIFICATIONS:

Contact Resistance : 30mΩ max
 Current Rating : Max 7.0A ,24VDC
 Insulation Resistance : 100MΩ min. at DC 500V
 Dielectric Withstand Voltage : AC 500V for one minute
 Remark: ▲: The Most Important Dimension

For Redference
僅供參考

RoHS&SVHC
Compliant