

Specifications Sheet

Product Type : *Piezo Buzzer*

Product Series : *DB-E2548*

Description : *PZ BUZZER FAST PULSE 12VDC L/W ABS RoHS SP
IP67*

Color : *Black*

Electrical Specifications

Model No.	254PF3120LA
Operating Voltage (VDC)	9 ~ 26
Rated Voltage (VDC)	12
* Max. Rated Current (mA)	12
* Min. Sound Output (dBA / 10 cm)	88
Frequency (Hz)	3300 ± 500
Tone Nature	Fast Pulse (106 ± 15 Pulse / Min)
Operating Temperature (°C)	-20 ~ +70
Storage Temperature (°C)	-30 ~ +80
Terminal	Leadwire (UL1007, AWG#26)
Housing Material	ABS
Water Proof Level	IP67
Weight (g)	6

* Value Applying At Rate Voltage

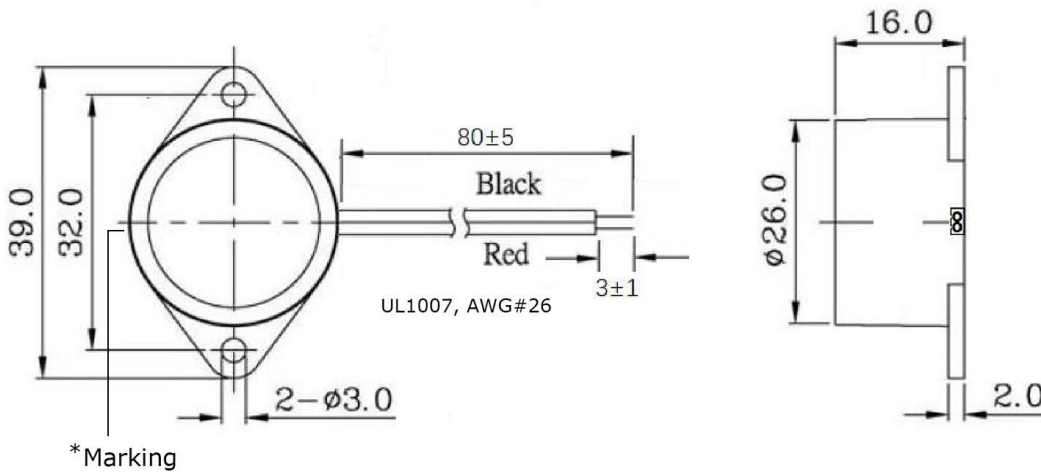
Dimensions

Unit : mm

Tolerance : ± 0.5 mm

TOP VIEW

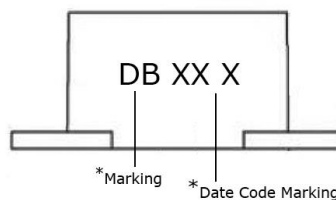
SIDE VIEW



*Marking

Marking

* Date Code Marking							
XX	Year	26 = 2026					
X	Month	A = Jan	B = Feb	C = Mar	D = Apr	E = May	F = Jun
		G = July	H = Aug	I = Sep	J = Oct	K = Nov	L = Dec



Approved By :
Date : 03 Jun 2026

Prepared By :
Date : 03 Jun 2026

Modify :	Date :	By :